

jalcor



One

User Manual



Warning:

Please turn off the power when inserting or removing a memory card to avoid damaging the unit or the card.

Safety precaution

- (1) Use only the supplied **12V DC** power adapter.
- (2) Turn off power before cleaning . Use only a soft cloth to clean the unit.
Do not use liquid cleaners.
- (3) Avoid exposing the unit to extreme heat.

Contents

Introduction

Features

Packaging Check List

Specifications

Product Diagram

Using Your Frame

Troubleshooting

Introduction

- ✦ Your new digital picture frame lets you view digital pictures from memory cards easily and quickly
- ✦ No computer or printer needed.
- ✦ Includes convenient slide show mode, which starts automatically when the frame is turned on.
- ✦ Supports many popular memory card types.
- ✦ Easy to take with you to share photos with family and friends anywhere.
- ✦ A step beyond the traditional photo frame, view tens or even hundreds of digital photo with
Without the need to pay for printing.

1. Features:

- 7 inch TET LCD screen
- Supports Secure Digital (SD), Multimedia Card (MMC)
- View the pictures from memory cards directly.
- Supports rotation of photos for proper display of vertical pictures.
- Resolution: 480*234 pixels
- Supports high resolution photos
- Automatic start of slide show
- Key holes for wall mounting
- Removable stand allows frame to be displayed vertically or horizontally.

Introduction

2. Packaging Check List

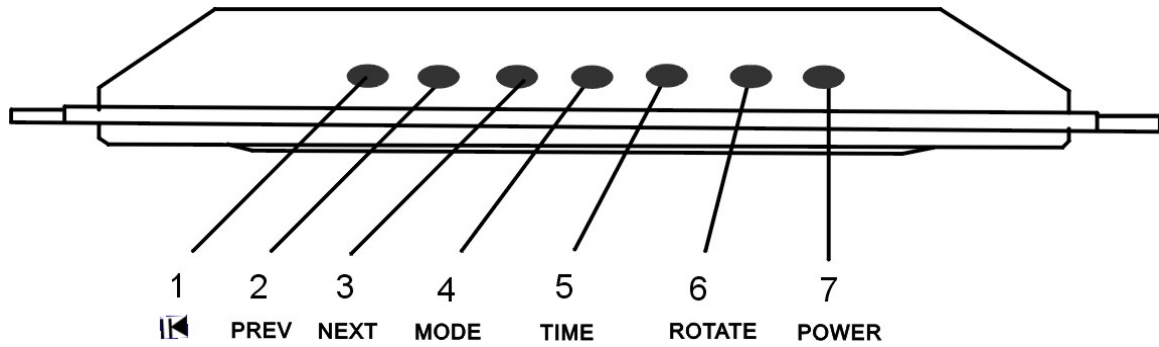
Digital Picture Frames	1 piece
Stand	1 piece
User Manual	1 piece
Power Adapter	1 piece

3. Specifications

Panel size	7 inches
Resolution	480*234
Brightness	350cd/m ²
Contract	300
Viewing Angle	60/60/40/60(CR=10)
Response Time	30ms
Screen Size Mode	16:9
Picture Rotation	270 degrees
File Format Type	JPEG
Max. Photo Size	10 mega pixels
Power Requirement	12 V DC
Power Consumption	6W
Operating Temperature	-20~60 degree centigrade
Storage Temperature	-30~75 degree centigrade

Product Diagram

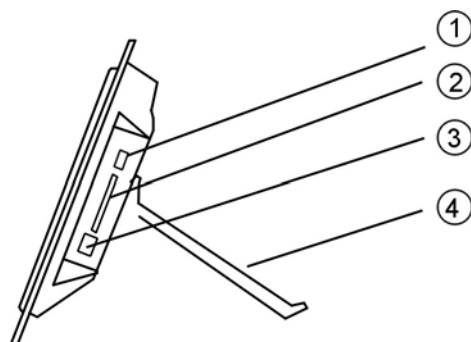
a. Top view



1. Play/Pause
2. Previous
3. Next
4. Mode
5. Time
6. Rotate
7. Power

b. Side view

The removable stand can be connected to use your Digital Picture Frame vertically or horizontally



1. USB host
2. Memory card slot
3. Power input jack
4. Stand attachment point

4. Stand

Using Your Digital Picture Frame

Install the stand for tabletop display, or mount to a wall. Connect the AC adapter.

Insert a memory card in the digital picture frame (with the card's electrical contacts toward the back of the unit), then press the power button.

To pause the slide show, press the **PLAY/PAUSE** button briefly. The word Pause will appear on the screen briefly and the slide show will be stopped.

The current photo will remain on the screen until another button is pressed, at which time the slide show will resume.

To display the next or previous picture, press the Next button or the Previous button

Press the Rotate button briefly allows photos to be turned to 90°, 180°, 270°, 360°.

Press and hold the Rotate button to set the picture changing time of 5s/15s/30s/1m/5m/30m/45m/1h and never. (the interval time may vary depending on the size of the loading photo)

Viewing Modes

Press this button to select display mode of FILL, ORIGINAL, AUTO FIT and PAN SCAN.

File Saving:

Photos must be saved in **JPG** format in order to be viewed on the digital picture frame. Nearly all digital cameras will save in the format by default. Photos that have been saved with certain image editing programs can fail to display properly.

Technical Notes:

1. Your digital picture frame is sophisticated electronic device. Do not drop or subject the unit to jarring or strong vibrations.
2. Avoid placing the digital photo frame in areas of high humidity or where it might be subjected to splashing
3. The **LCD** panel is made of plastic and can be easily damaged. Avoid sharp objects.
4. Use only a soft dry cloth to clean the screen.

Questions/Troubleshooting Guide

1. **Question:** what kind of photos does this device support?

Answer: The frame will display digital photo that are stored in the JPEG format, which is the standard format for nearly all digital cameras. Some cameras allow images to be stored as TIFF or RAW files as well as JPEG Only the JPEG format is compatible with the frame. Photos of up to 10 million pixels can be display

2. **Question:** What should I do if the system does not respond when the power is turned on

Answer: Please make sure the unit is properly connected to a power source. The turn it off, re-connect the power and turn in on again.

3. **Question:** Why is the memory card not recognized?

Answer: The memory card might be inserted backwards or is not pushed in for enough. After inserting the memory card in the right direction, if the card still cannot be read, please turn off the unit and then power it on again.

Infopatika



Distributor: Infopatika Ltd.

Angol str. 38. H-1149 Budapest, Hungary

www.infopatika.hu

Made in China

www.alcordigital.com